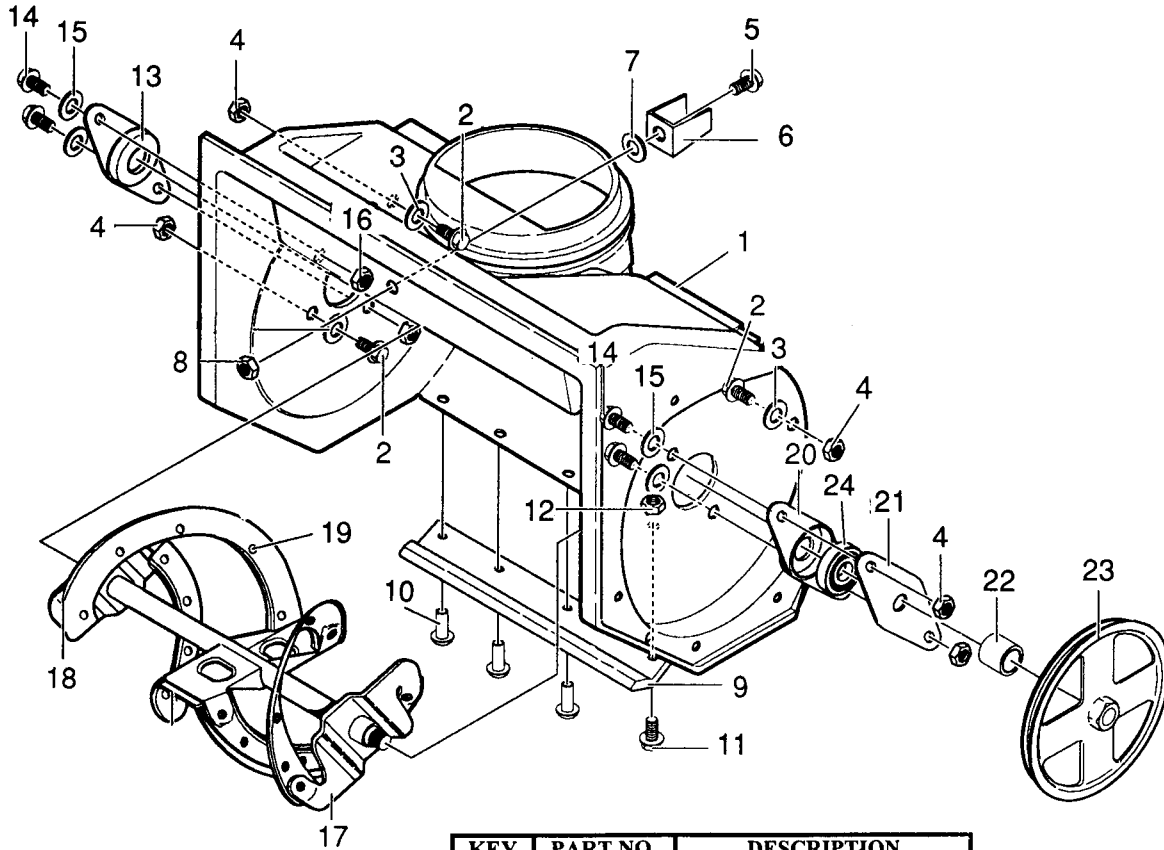




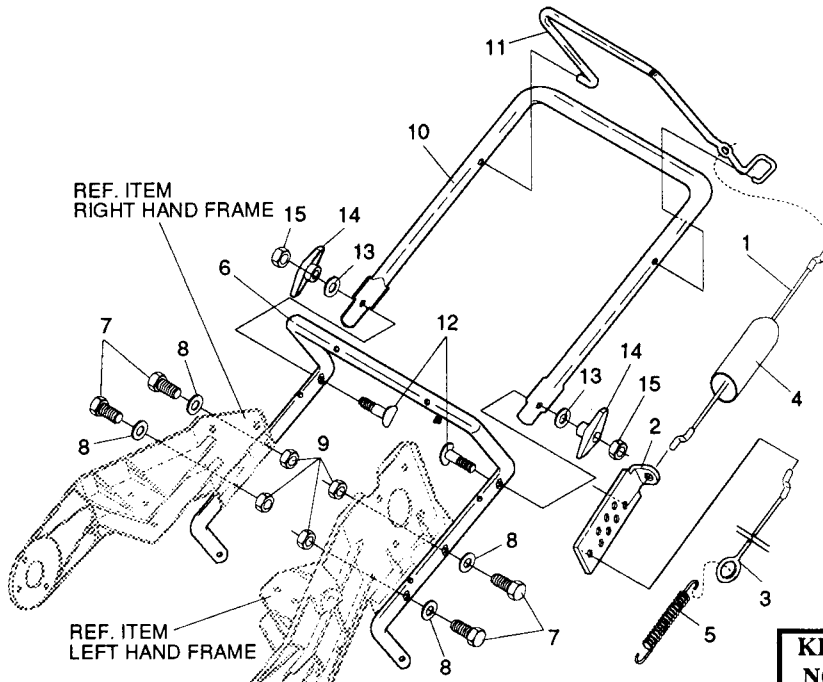
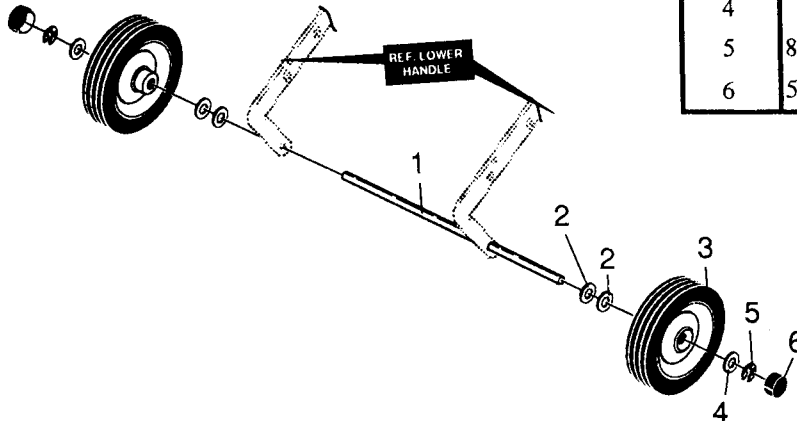
Prod.No: 968 87 04-10
 Engine: Tecumseh
 HSK-600-1688 S

SPAREPARTS
 107 25 57-63

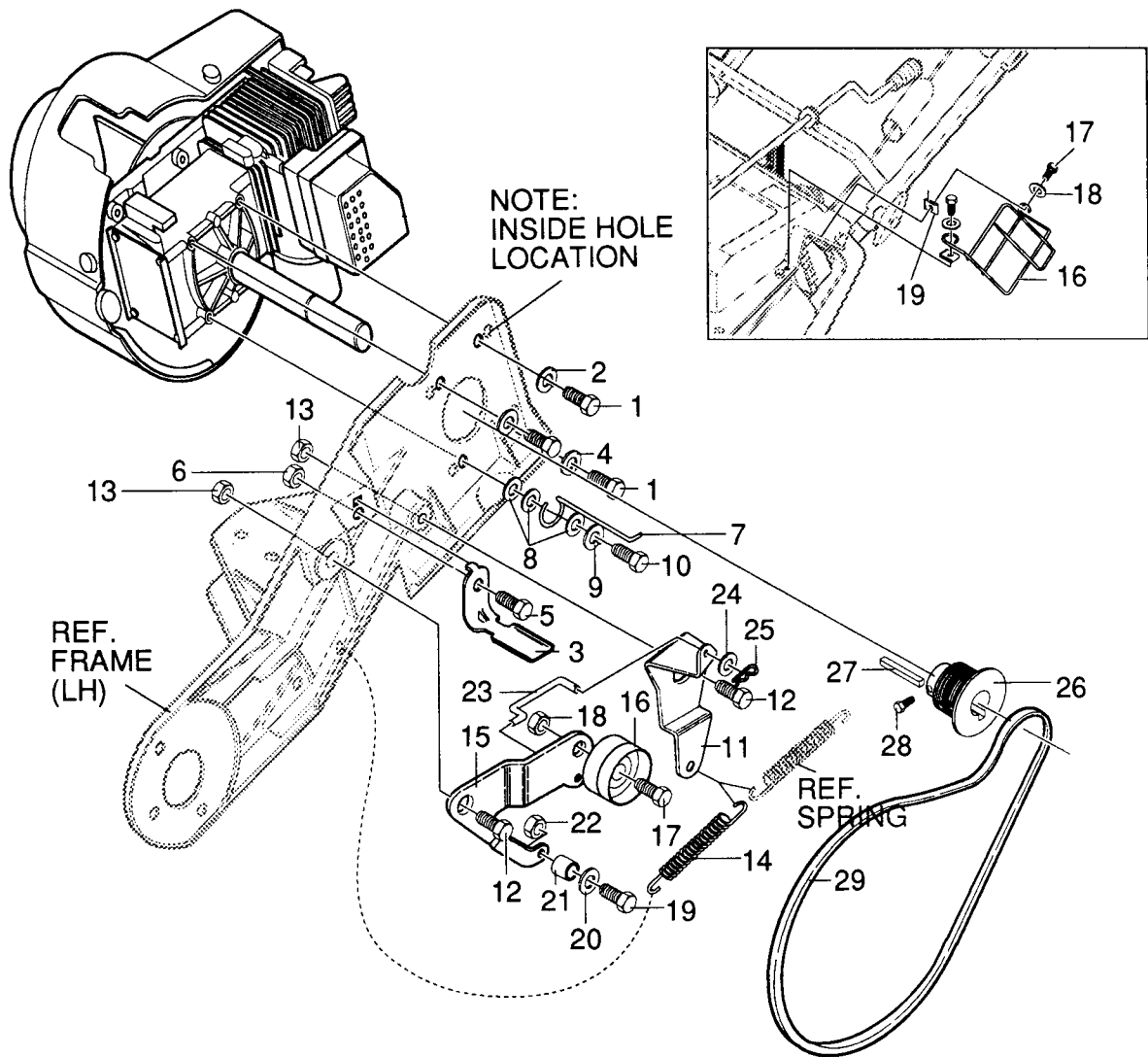


KEY NO.	PART NO.	DESCRIPTION
1	533 33 13-37	Assembly, Rect Housing
2	874 76 04-12	Bolt, 1/4-20*3/4
3		Flatwasher
4	873 22 04-00	Nut, 1/4-20
5	871 07 04-10	Screw, 1/4-20*5/8
6	533 33 11-26	Bracket, Stop
7		Flatwasher
8	873 22 04-00	Nut, 1/4-20
9	533 33 40-31	Blade, Scraper 21"
10	533 57 77-07	Rivet, Ovset
11	533 18 00-20	Screw, 1/4-20*3*4 Hhc
12	533 04 69-31	Nut, 1/4-20 Wdlf Mac-Lock
13	533 05 48-37	Bearing, Flange
14	874 78 04-14	Bolt, 1/4-20*7/8
15		Flatwasher
16	533 04 69-31	Nut, 1/4-20 Wdlf Mac-Lock
17	533 31 24-07	Auger, Assembly
18	533 30 25-65	Blade, Auger
19	533 04 98-38	Rivet, Ovset
20	533 00 79-05	Retainer
21	533 33 42-87	Plate
22	533 05 45-70	Spacer
23	533 31 36-70	Pulley
24	738 22 03-19	Bearing

KEY NO.	PART NO.	DESCRIPTION
1	533 05 70-41	Axel
2		Flatwasher
3	533 33 72-15	Tire
4		Flatwasher
5	812 00 00-03	E-Ring
6	533 05 63-71	Hub Cap

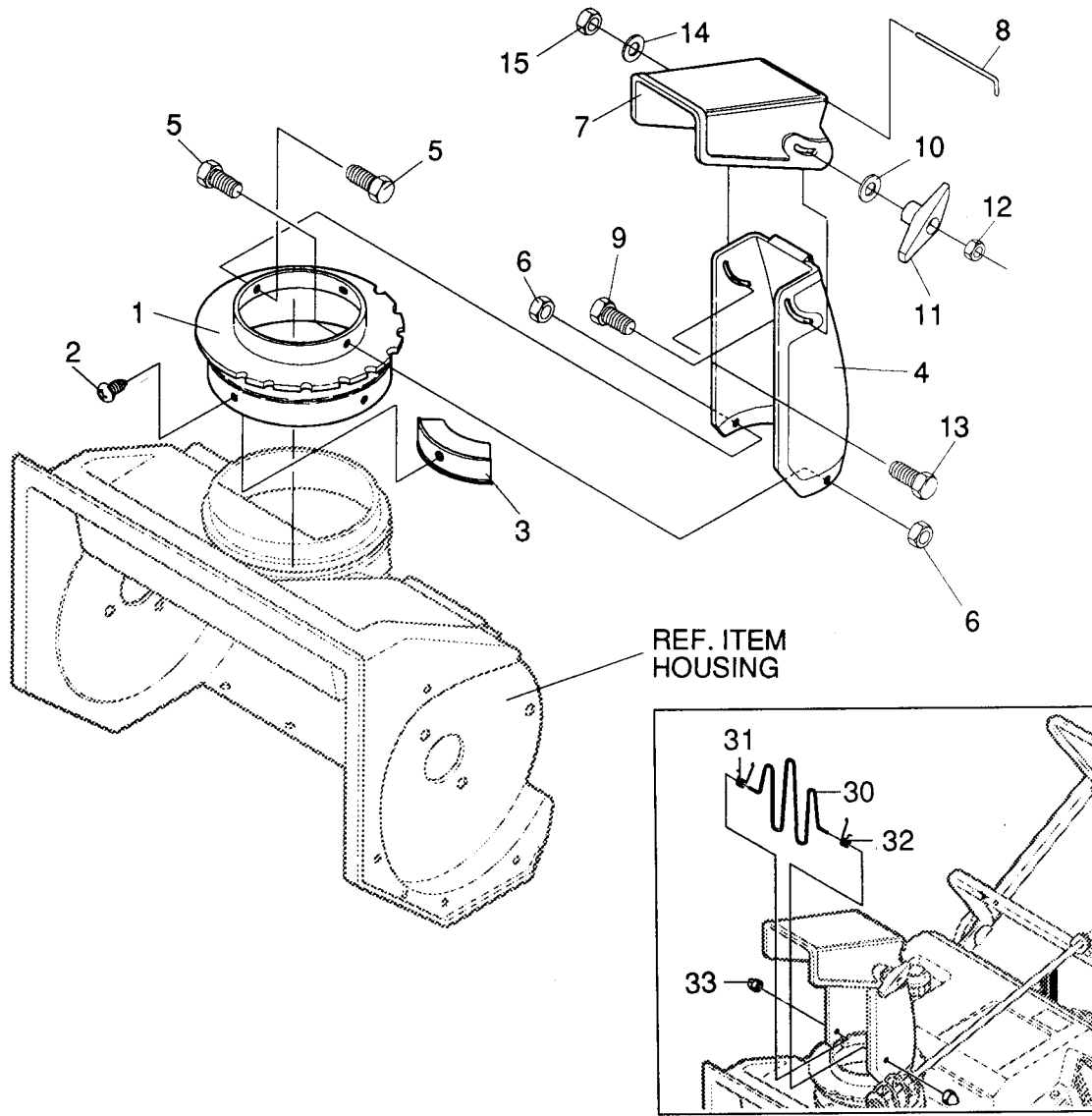


KEY NO.	PART NO.	DESCRIPTION
1	533 31 34-49	Cable, Upper Control
2	533 31 34-41	Bracket
3	533 31 34-48	Cable, Lower Control
4	533 30 81-46	Boot
5	533 31 34-71	Spring
6	533 31 34-87	Handle, Lower
7	874 78 04-20	Bolt, 1/4-20*1-1/4
8		Flatwasher
9	873 68 04-00	Nut, 1/4-20
10	533 33 72-14	Handle, Upper
11	533 31 33-08	Bail
12	533 31 17-67	Bolt, 5/16-18*1-3/4
13		Washer, Formed
14	533 01 35-27	Knob, T
15	873 22 20-05	Nut, 5/16-18

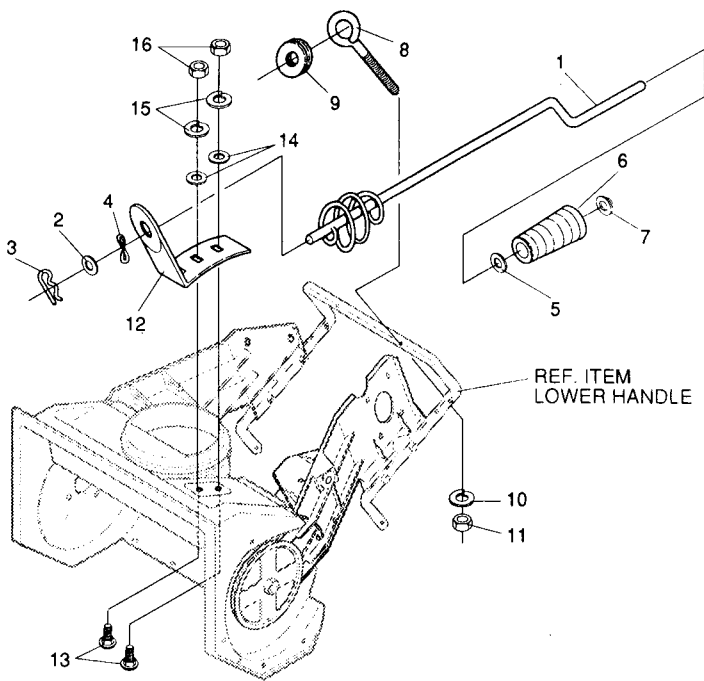


KEY NO.	PART NO.	DESCRIPTION
1	874 78 05-12	Bult, 5/16-18*3/4
2		Washer
3	533 33 39-70	Pad, Brake
4		Washer
5	874 78 04-14	Bolt, 1/4-20*7/8
6	873 22 04-00	Nut, 1/4-20
7	533 31 34-40	Guide, Belt
8		Flat Washer
9		Washer
10	874 78 05-16	Bolt, 5/16-18*1
11	533 31 34-44	Arm, Idler Pivot
12	533 33 35-94	Bolt, .500*.177 Hhsh
13	873 68 05-00	Nut, 5/16-18
14	533 31 34-73	Spring
15	533 32 00-77	Arm, Idler

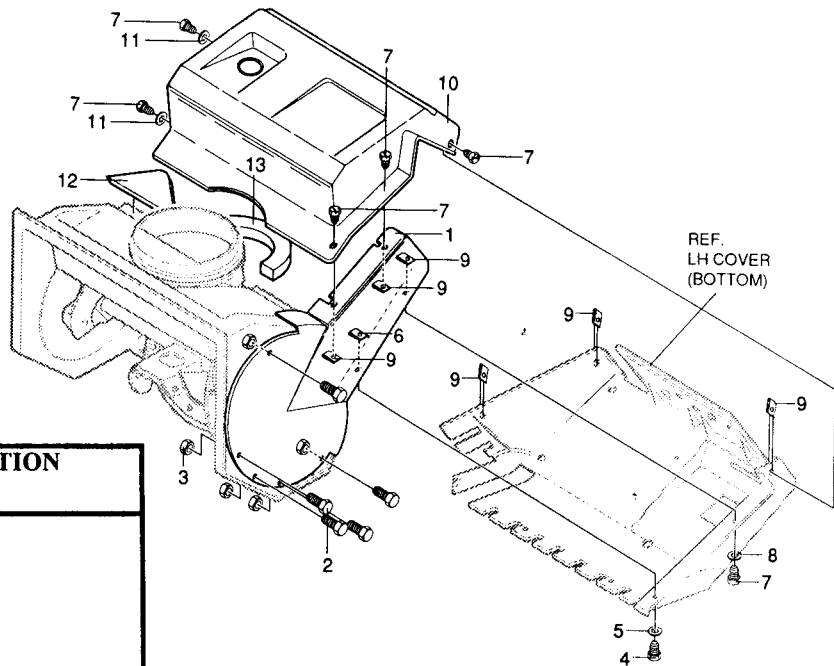
KEY NO.	PART NO.	DESCRIPTION
16	533 04 89-24	Pulley, Idler
17	533 30 26-37	Screw, 3/8-16*1.50
18	873 68 06-00	Nut, 3/8-16
19	874 78 04-24	Bolt, 1/4-20*1-1/2
20		Washer
21	533 31 34-43	Roller
22	873 22 04-00	Nut, 1/4-20
23	533 31 34-36	Rod, Clutch Linkage
24		Washer
25	533 12 12-23	Pin, Cotter
26	533 04 89-21	Pulley, Engine
27	533 00 21-25	Key
28	533 19 19-56	Screw, 1/4-20
29	533 31 95-96	Belt
30	533 05 71-39	Guard, Muffler
31	874 78 04-10	Screw, 1/4-20x.62
32	734 11 53-01	Flatwasher, .281x63x.065
33	533 05 06-69	Nut, 1/4-20 Timm U



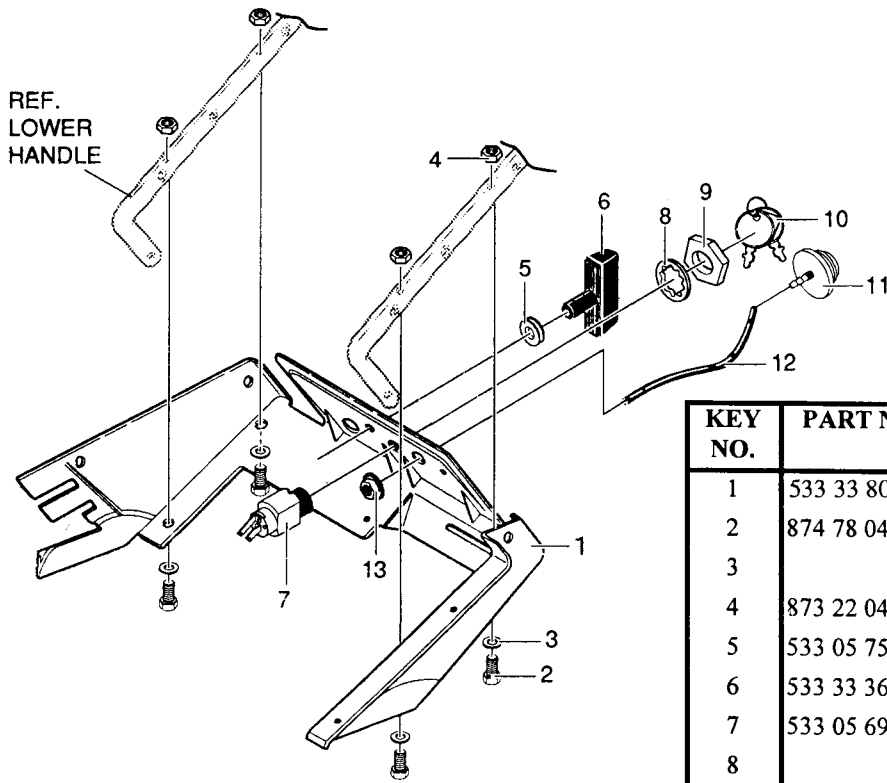
KEY NO.	PART NO.	DESCRIPTION
1	533 31 33-07	Ring, Chute
2	533 30 03-02	Screw, 10-14*1/2
3	533 57 70-21	Guide, Chute
4	533 33 64-51	Chute, Lower
5	874 78 04-08	Screw, 1/4-20*1/2
6	873 22 04-00	Nut, 1/4-20
7	533 30 76-65	Chute, Upper
8	533 30 89-31	Wire
9	872 11 05-10	Bolt, 5/16-18*1-1/4
10		Washer
11	533 01 35-27	Knob
12	873 22 05-00	Nut, 5/16-18
13	874 78 05-12	Bolt, 5/16-18*3/4
14		Washer
15	873 22 05-00	Nut, 5/16-18
16	533 31 12-06	Guard, Wire Chute
17	533 05 17-76	Spring, Torsion
18	533 05 17-77	Spring, Torsion
19	533 04 91-06	Nut, Acorn



KEY NO.	PART NO.	DESCRIPTION
1	533 31 49-96	Rod,
2		Washer
3	533 12 12-24	Pin, Cotter
4		Washer
5		Washer
6	533 05 70-82	Knob
7	533 33 15-32	Cap Nut,
8	533 31 37-12	Bolt, Eye 3/8-16*2.00
9	515 40 01-48	Grommet
10		Washer
11	873 22 06-00	Nut, 3/8-16
12	533 31 34-38	Bracket
13	872 14 05-06	Bolt, 5/16-18*3/4
14		Flatwasher
15		Washer
16	873 22 05-00	Nut, 5/16-18



KEY NO.	PART NO.	DESCRIPTION
1	533 30 88-02	Cover, Belt
2	533 27 47-07	Screw, 10-24*1/2
3	873 27 10-00	Nut, #10-24
4	874 78 04-08	Bolt, 1/4-20*1/2
5		Washer
6	533 05 06-69	Nut, 1/4-20 Tinn U
7	533 05 60-21	Screw, 1/4-14*3/4
8		Flatwasher
9	533 04 94-41	Nut, 1/4-10 Speed J Type
10	533 33 64-52	Cover, Top
11		Flatwasher
12	533 05 53-79	Seal, Housing
13	533 05 53-80	Seal, Chute



KEY NO.	PART NO.	DESCRIPTION
1	533 33 80-43	Cover, Bottom
2	874 78 04-20	Bolt, 1/4-20*1-1/4
3		Flatwasher
4	873 22 04-00	Nut, 1/4-20
5	533 05 75-87	Grommet
6	533 33 36-43	Grip
7	533 05 69-92	Switch
8		Washer
9	533 04 81-40	Nut, 5/8-32
10	533 04 96-43	2 Keys
11	533 05 46-01	Primer
12	533 00 12-59	Hose, Primer
13	873 22 04-00	Nut, 1/4-20

KEY NO.	PART NO.	DESCRIPTION
1	533 33 37-69	Frame, RH
2	533 33 37-67	Frame, LH
3	533 05 81-56	Channel
4	533 18 00-44	Screw, 1/4-20*2.00
5	873 68 04-00	Nut, 1/4-20
6	533 05 06-49	Bracket
7	874 76 04-12	Bolt, 1/4-20*3/4
8	873 68 04-00	Nut, 1/4-20
9	533 05 53-81	Tank
10	533 04 96-97	Screw, 1/4-14*.88
11	533 00 12-57	Cap
12	533 32 72-90	Tubing
13	533 04 73-45	Clamp
14	533 33 48-56	Plate

